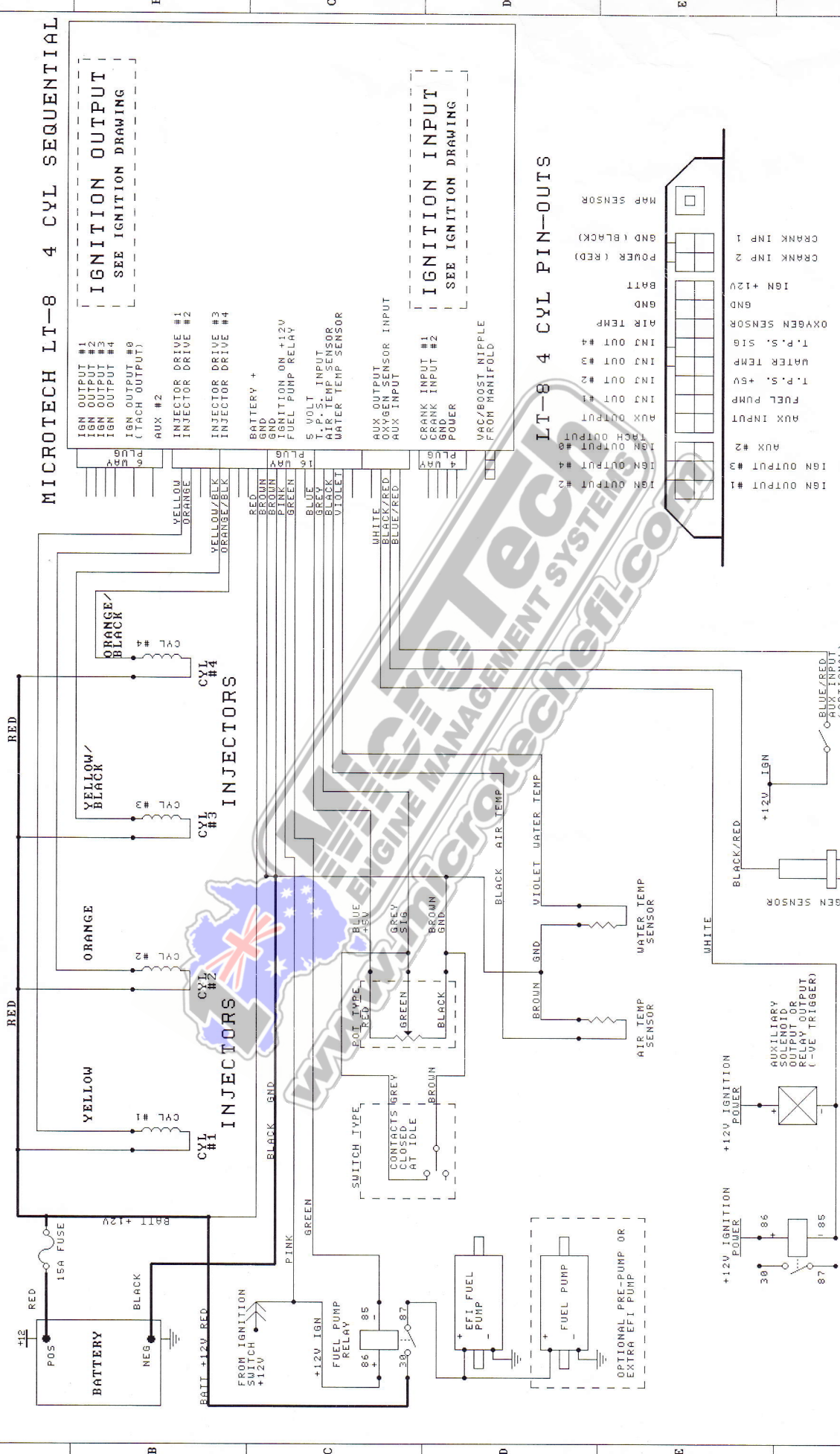


MICROTECH LT-8 4 CYL SEQUENTIAL ENGINE MANAGEMENT SYSTEM



MICROTECH LT-8 4 CYL SEQUENTIAL

IGNITION OUTPUT
SEE IGNITION DRAWING

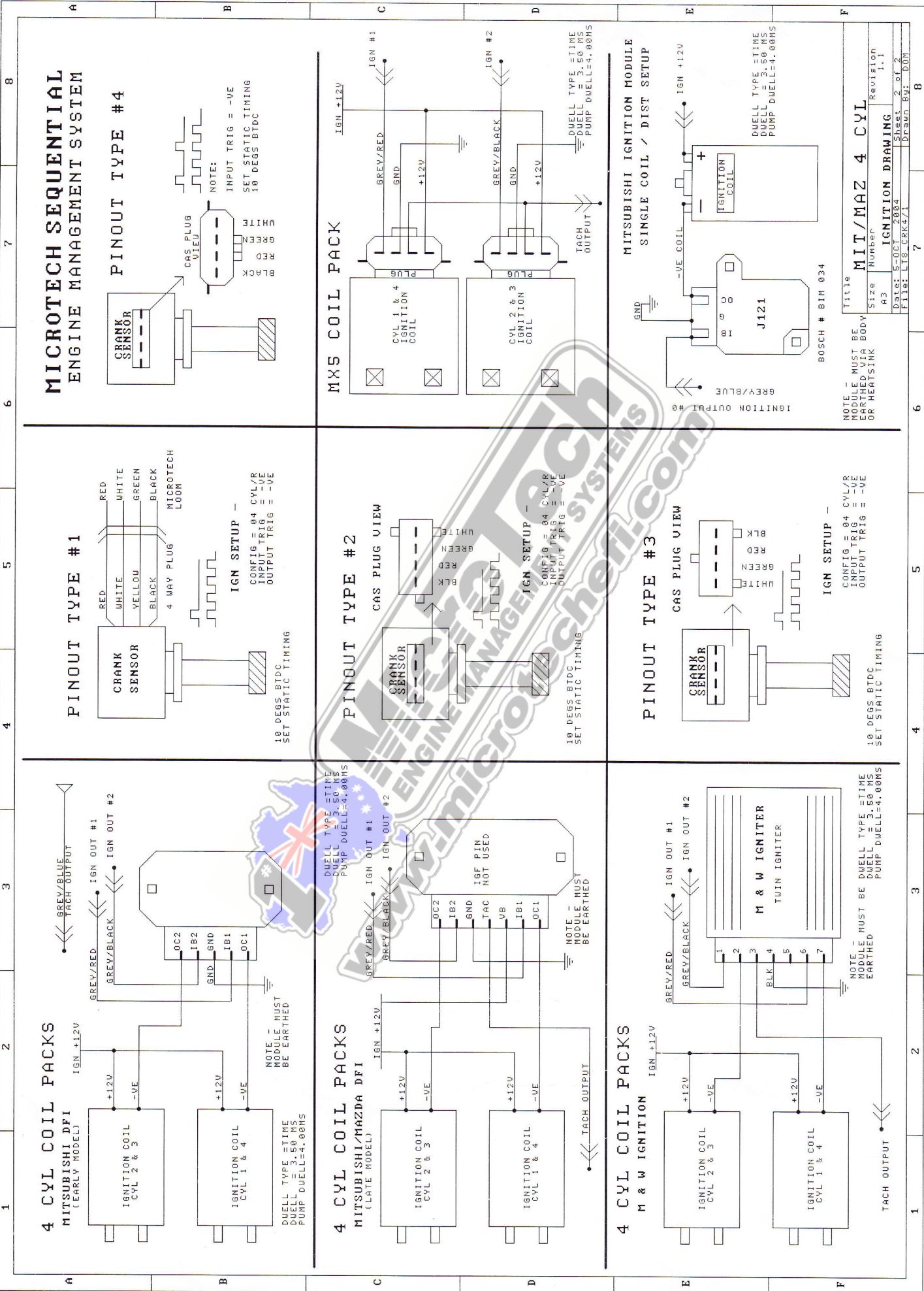
IGNITION INPUT
SEE IGNITION DRAWING

LT-8 4 CYL PIN-OUTS

MAP SENSOR	IGN +12V
GND (BLACK)	GND
POWER (RED)	OXYGEN SENSOR
BATT	T.P.S. #1
AIR TEMP	WATER TEMP
INT OUT #4	T.P.S. #2
INT OUT #3	FUEL PUMP
INT OUT #2	AUX INPUT
INT OUT #1	AUX OUTPUT #3
AUX OUTPUT	IGN OUTPUT #1
TACH OUTPUT	IGN OUTPUT #2
IGN OUTPUT #0	IGN OUTPUT #4
IGN OUTPUT #1	IGN OUTPUT #3
IGN OUTPUT #2	IGN OUTPUT #1
IGN OUTPUT #3	IGN OUTPUT #2
IGN OUTPUT #4	IGN OUTPUT #3
IGN OUTPUT #5	IGN OUTPUT #4
IGN OUTPUT #6	IGN OUTPUT #5
IGN OUTPUT #7	IGN OUTPUT #6
IGN OUTPUT #8	IGN OUTPUT #7
IGN OUTPUT #9	IGN OUTPUT #8
IGN OUTPUT #10	IGN OUTPUT #9
IGN OUTPUT #11	IGN OUTPUT #10
IGN OUTPUT #12	IGN OUTPUT #11
IGN OUTPUT #13	IGN OUTPUT #12
IGN OUTPUT #14	IGN OUTPUT #13
IGN OUTPUT #15	IGN OUTPUT #14
IGN OUTPUT #16	IGN OUTPUT #15
IGN OUTPUT #17	IGN OUTPUT #16
IGN OUTPUT #18	IGN OUTPUT #17
IGN OUTPUT #19	IGN OUTPUT #18
IGN OUTPUT #20	IGN OUTPUT #19

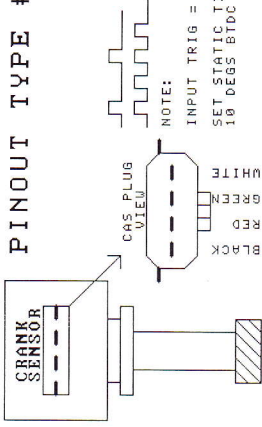
N.B.
PER INJECTOR BANK
USE ONLY -
1 X 2 OHM INJECTORS
2 X 12 OHM INJECTORS
4 X 12 OHM INJECTORS

Title		LT-8 4 DIRECT FIRE	
Size	Number	Revision	Revision
A3	4	1.0	1.0
Date:	4-OCT-2004	Sheet	1 of 2
File:	LT88-4/1	Drawn By:	DOM

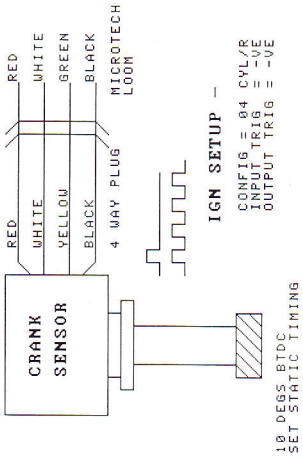


MICROTECH SEQUENTIAL ENGINE MANAGEMENT SYSTEM

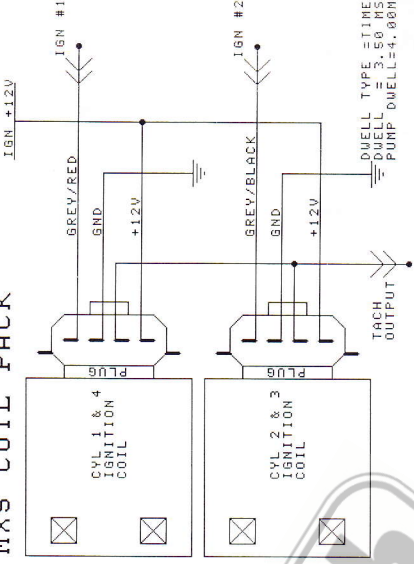
PINOUT TYPE #4



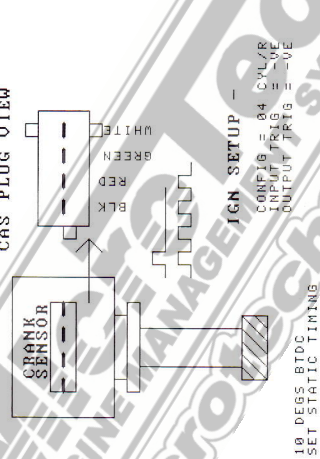
PINOUT TYPE #1



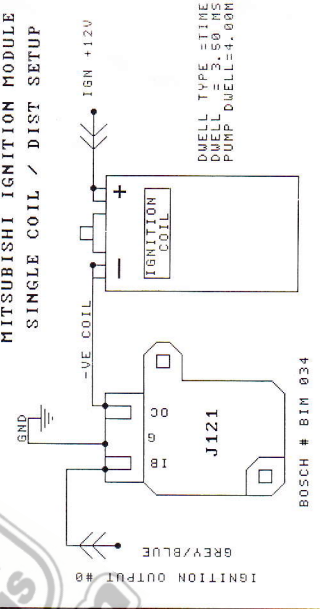
MXS COIL PACK



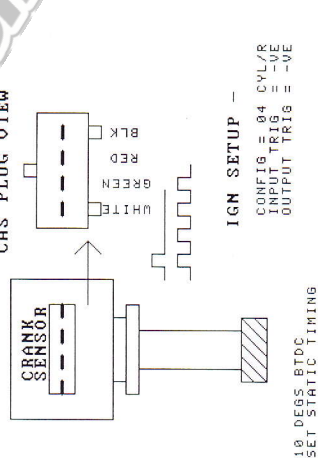
PINOUT TYPE #2



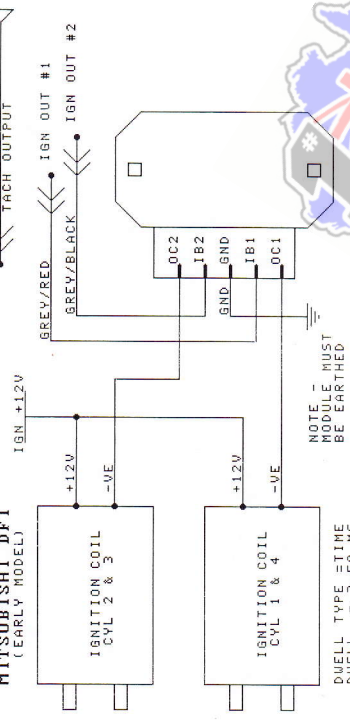
MITSUBISHI IGNITION MODULE SINGLE COIL / DIST SETUP



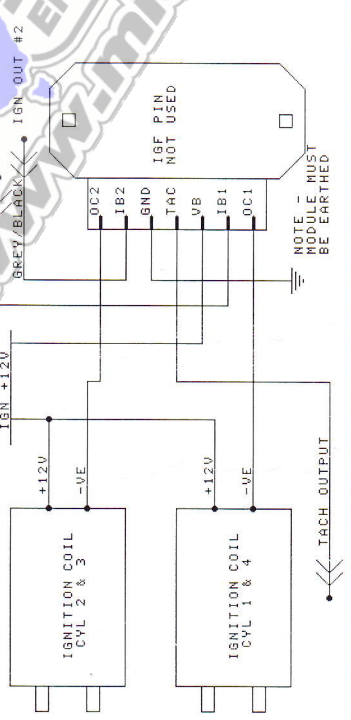
PINOUT TYPE #3



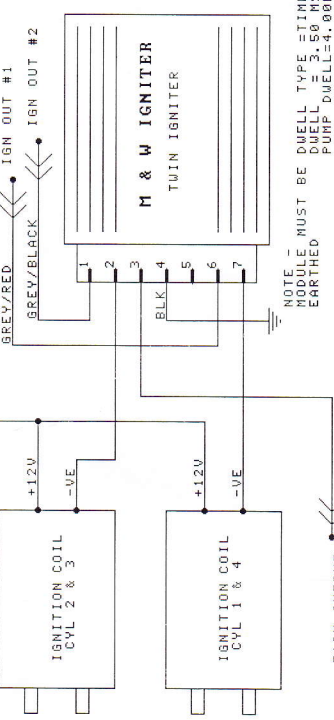
4 CYL COIL PACKS MITSUBISHI DFI (EARLY MODEL)



4 CYL COIL PACKS MITSUBISHI/MAZDA DFI (LATE MODEL)



4 CYL COIL PACKS M & W IGNITION



Title		MIT/MAZ 4 CYL	
Size	Number	Revision	
A3		1.1	
Date:	5-OCT-2004	Sheet:	2 of 2
File:	LTS-GRK471	Drawn By:	DOM