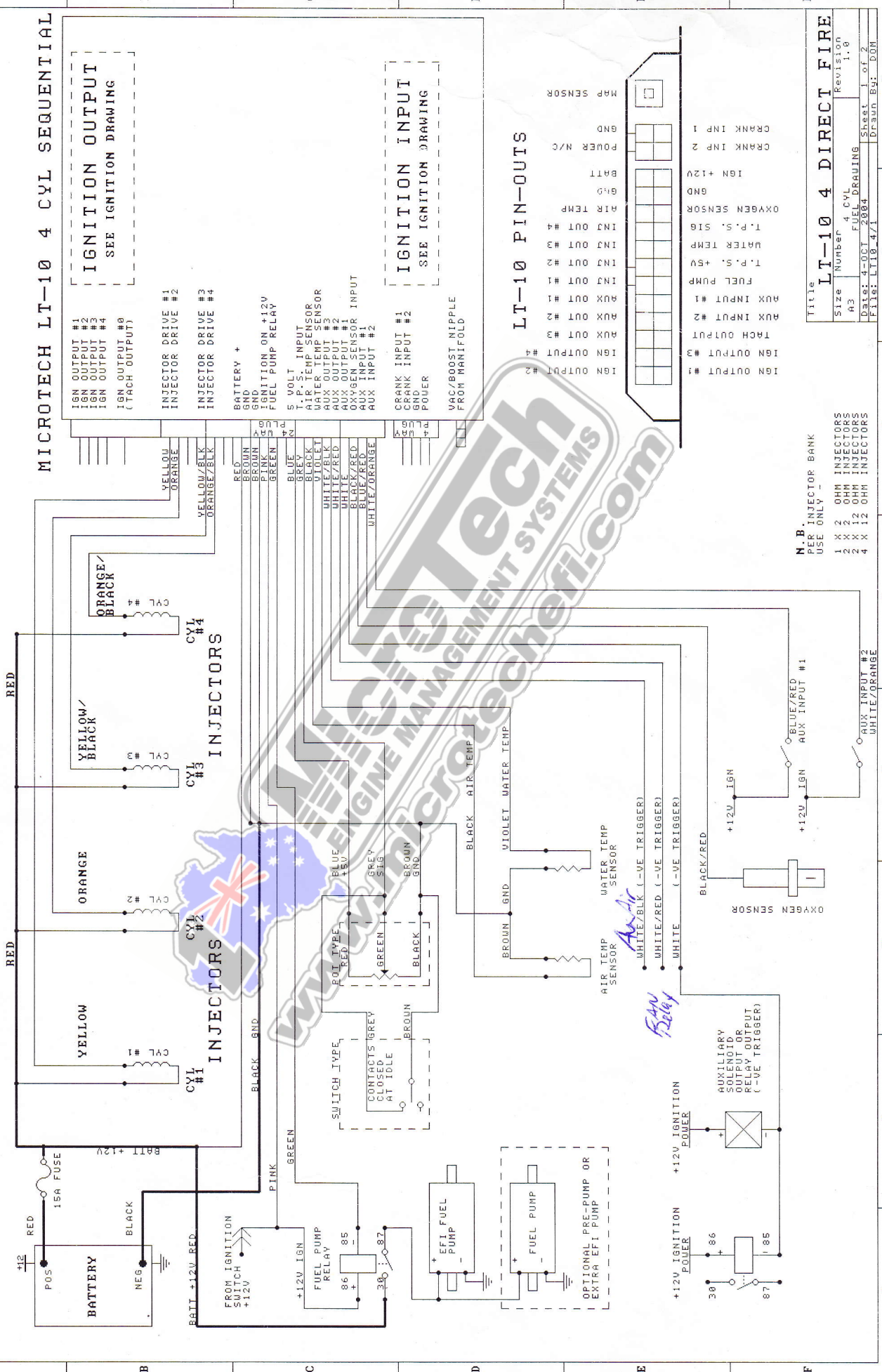


MICROTECH LT-10 4CYL SEQUENTIAL ENGINE MANAGEMENT SYSTEM



MICROTECH LT-10 4 CYL SEQUENTIAL

IGN OUTPUT #1
IGN OUTPUT #2
IGN OUTPUT #3
IGN OUTPUT #4
IGN OUTPUT #0
(TACH OUTPUT)

INJECTOR DRIVE #1
INJECTOR DRIVE #2
INJECTOR DRIVE #3
INJECTOR DRIVE #4

BATTERY +
IGNITION ON +12V
IGNITION ON +12V
FUEL PUMP RELAY
5 VOLT
T.P.S. INPUT
AIR TEMP SENSOR
WATER TEMP SENSOR
AUX OUTPUT #3
AUX OUTPUT #2
AUX OUTPUT #1
OXYGEN SENSOR INPUT
AUX INPUT #1
AUX INPUT #2

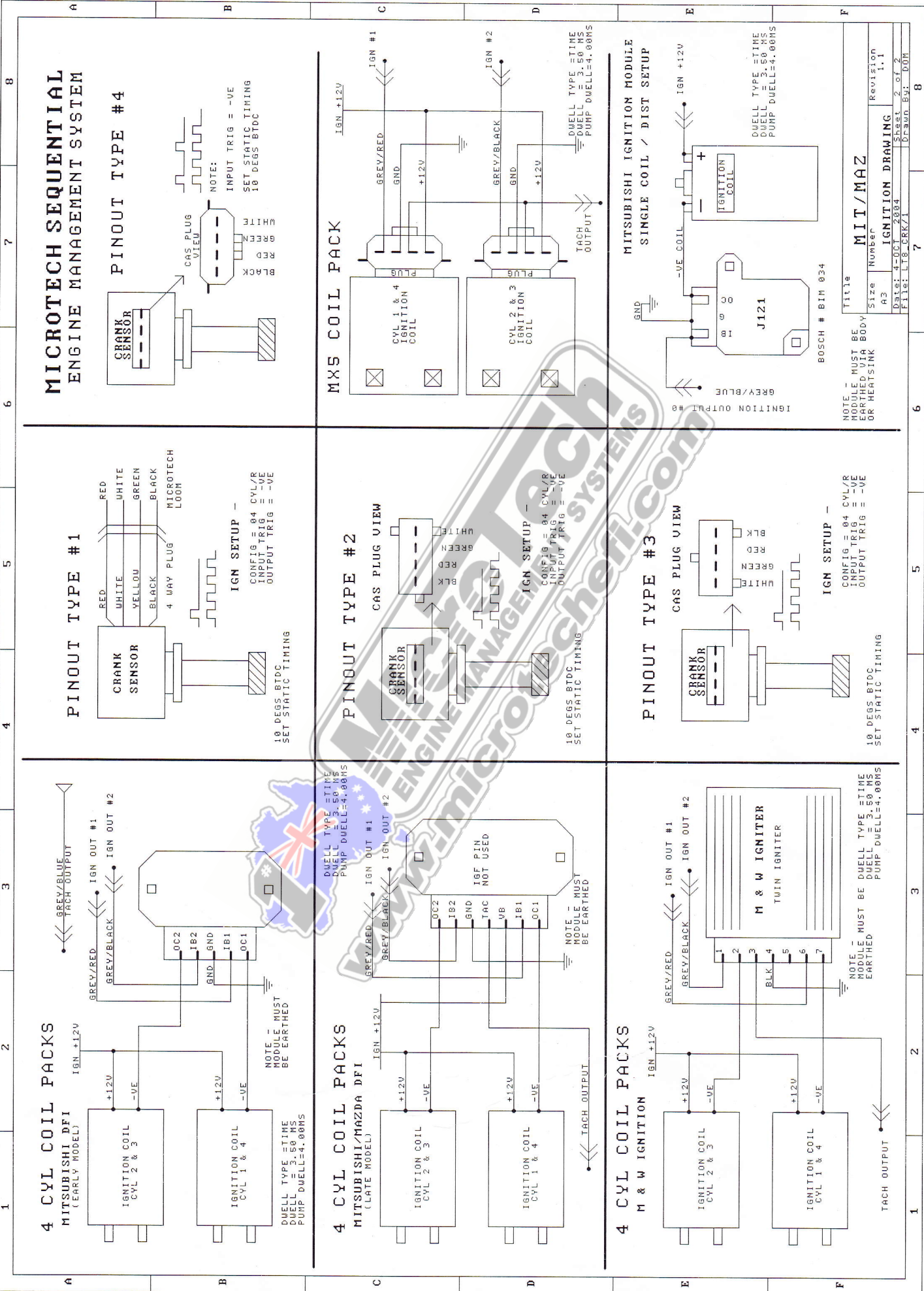
CRANK INPUT #1
CRANK INPUT #2
POWER
VAC/BOOST NIPPLE
FROM MANIFOLD

LT-10 PIN-OUTS

IGN OUTPUT #4	IGN OUTPUT #3	IGN OUTPUT #2	IGN OUTPUT #1	AUX OUTPUT #4	AUX OUTPUT #3	AUX OUTPUT #2	AUX OUTPUT #1	FUEL PUMP	T.P.S. +5V	WATER TEMP	T.P.S. SIG	OXYGEN SENSOR	IGN +12V	BATT	POWER N/C	MAP SENSOR
IGN OUTPUT #3	IGN OUTPUT #2	IGN OUTPUT #1	AUX INPUT #4	AUX INPUT #3	AUX INPUT #2	AUX INPUT #1	TACH OUTPUT	AUX INPUT #3	AUX INPUT #2	AUX INPUT #1	CRANK INP 1	CRANK INP 2	IGN +12V	GND	POWER N/C	MAP SENSOR

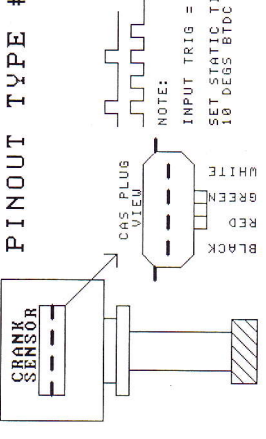
N.B.
PER INJECTOR BANK
USE ONLY -
1 X 2 OHM INJECTORS
2 X 2 OHM INJECTORS
2 X 12 OHM INJECTORS
4 X 12 OHM INJECTORS

Title		LT-10 4 DIRECT FIRE	
Size	Number	4	Revision
A3	FUEL DRAWING	1	1.0
Date:	4-OCT-2004	Sheet	1 of 2
File:	LT10.471	Drawn By:	DDN

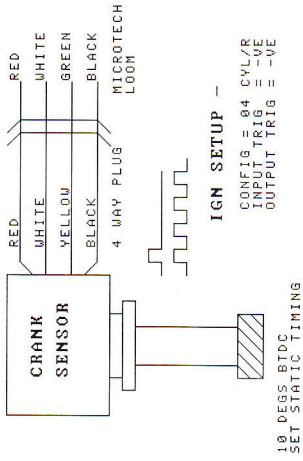


MICROTECH SEQUENTIAL ENGINE MANAGEMENT SYSTEM

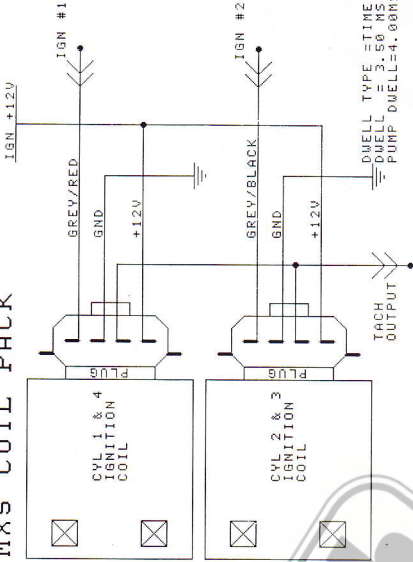
PINOUT TYPE #4



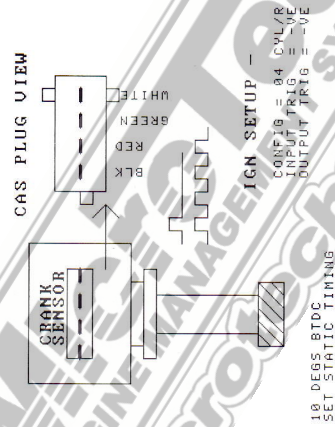
PINOUT TYPE #1



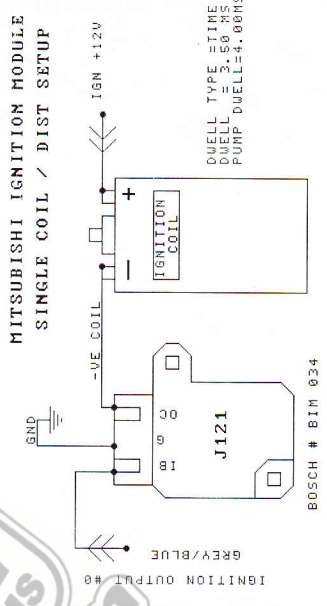
MXS COIL PACK



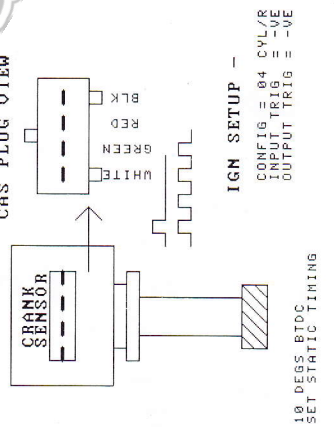
PINOUT TYPE #2



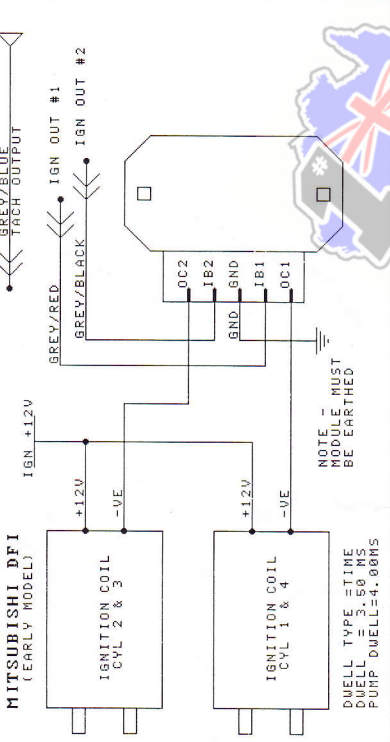
MITSUBISHI IGNITION MODULE SINGLE COIL / DIST SETUP



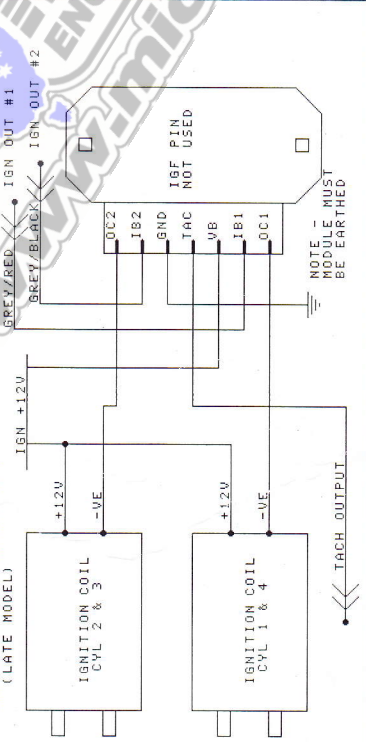
PINOUT TYPE #3



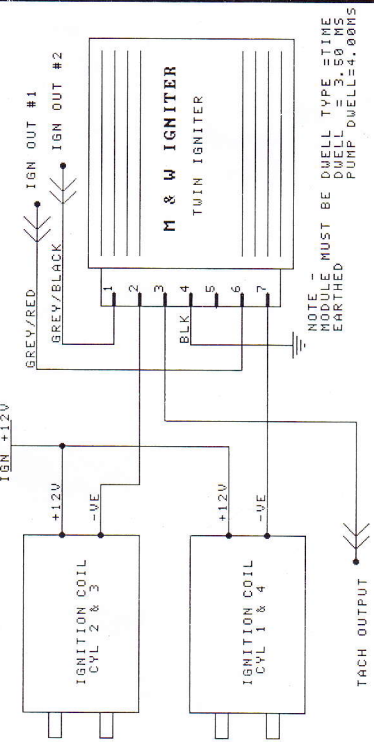
4 CYL COIL PACKS



4 CYL COIL PACKS



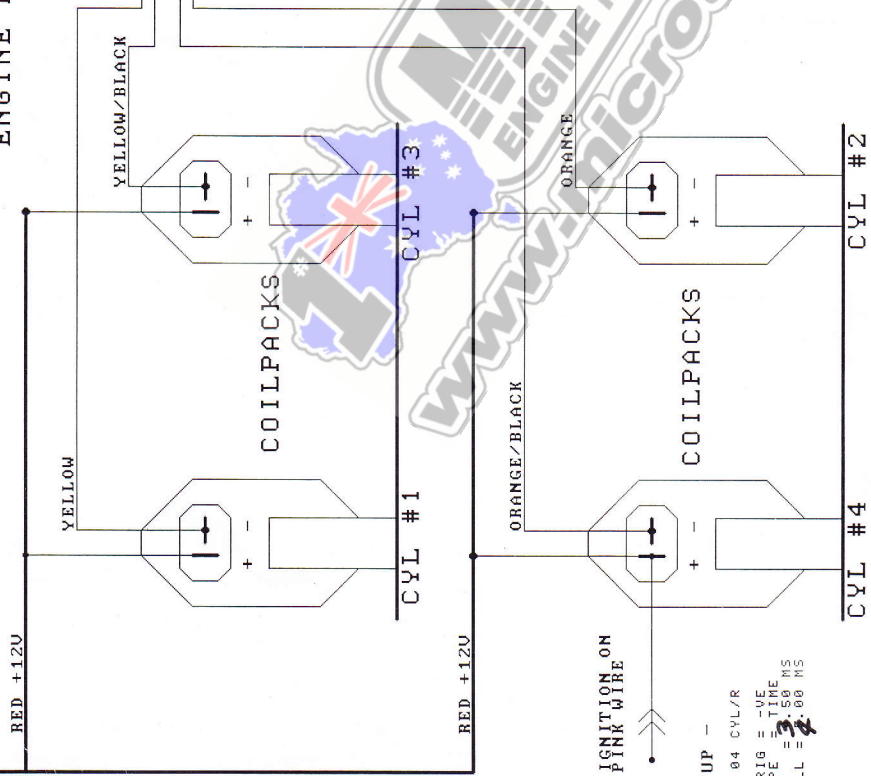
4 CYL COIL PACKS



Title		MIT/MAZ	
Size	Number	Revision	1.1
Date: 4-OCT-2004		Sheet 2 of 2	
File: LTB-CRKY1		Drawn By: DOM	

MICROTECH LT-10+IGBT 4 CYL SEQUENTIAL ENGINE MANAGEMENT SYSTEM

IGNITION +12V

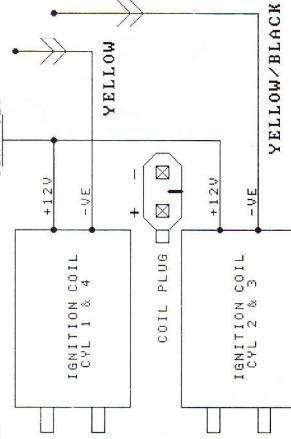


IGN SETUP -

CONFIG = 94 CYL/R
 OUTPUT TRIG = -VE
 DWELL TYPE = TIME
 DWELL TIME = 3.50 MS
 PUMP DWELL = 2.00 MS

4 COIL SETUP

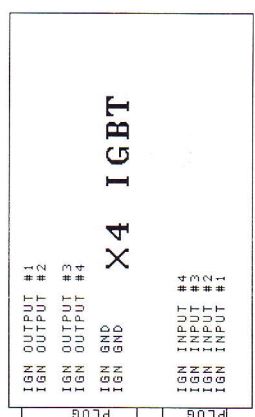
TWIN OUTLET SETUP



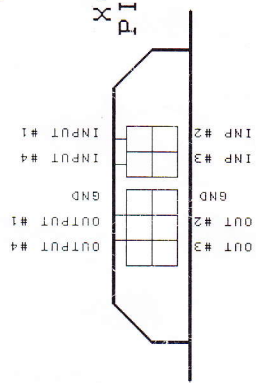
IGN SETUP -

CONFIG = 94 CYL/R
 OUTPUT TRIG = TWIN
 DWELL TYPE = TIME
 DWELL TIME = 3.50 MS
 PUMP DWELL = 2.00 MS

NOTE- SOFTWARE MAY
 NEED UPGRADE
 FOR TWIN COILS



X4 IGBT PIN OUTS



Title		LT-10 X4 DIRECT FIRE	
Size	Number	4	CYL X4 IGBT
Revision	1.0		
A3	IGNITION DRAWING		
Date:	4-OCT-2004	Sheet	2 of 2
File:	LT10-472	Drawn By:	DOM

