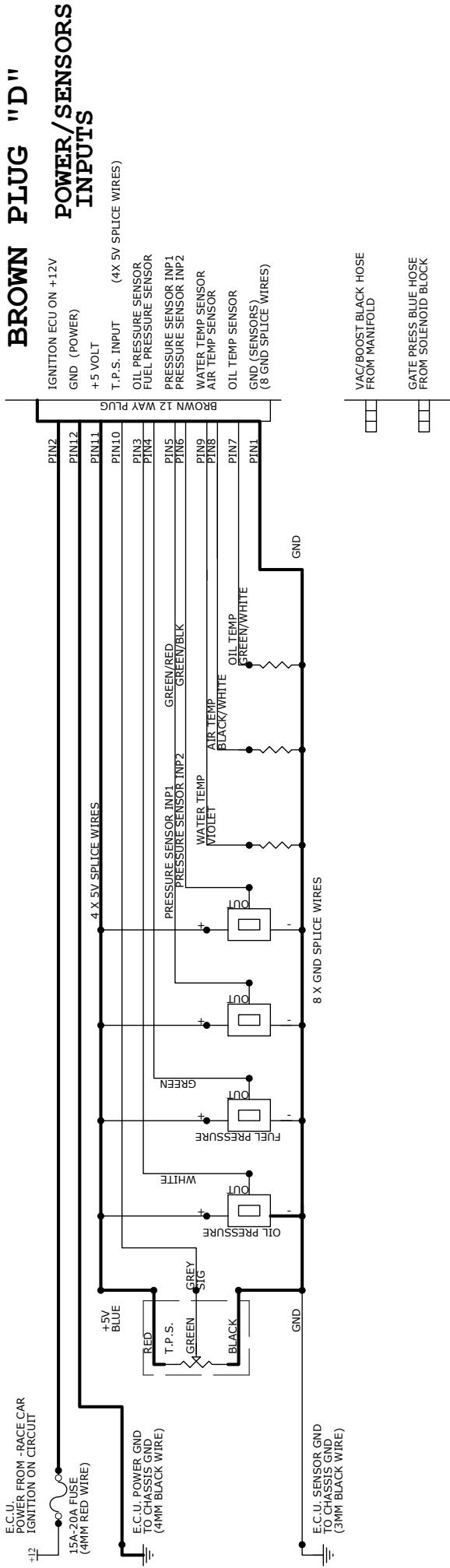
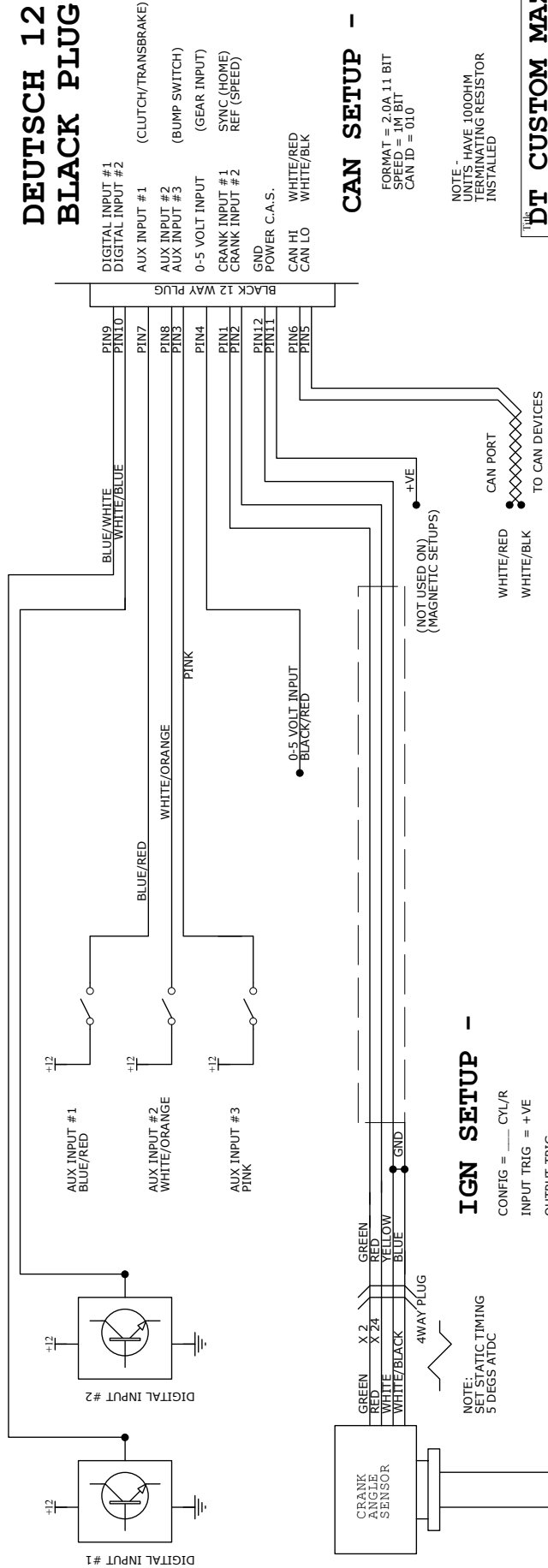


MICROTECH DT CUSTOM RACE 13B/20B ENGINE MANAGEMENT SYSTEM

DEUTSCH 12 WAY BROWN PLUG "D" POWER/SENSORS INPUTS



DEUTSCH 12 WAY BLACK PLUG "B"



DT CUSTOM MAZDA

Size	Number	Revision
A3	MAZDA ROTOR SENSOR DRAWING	1.0
Date:	18-Feb-2018	Sheet of 2
File:	C:\ADV\SCHEM\DT_CUST12.S01	Drawn By: DOM