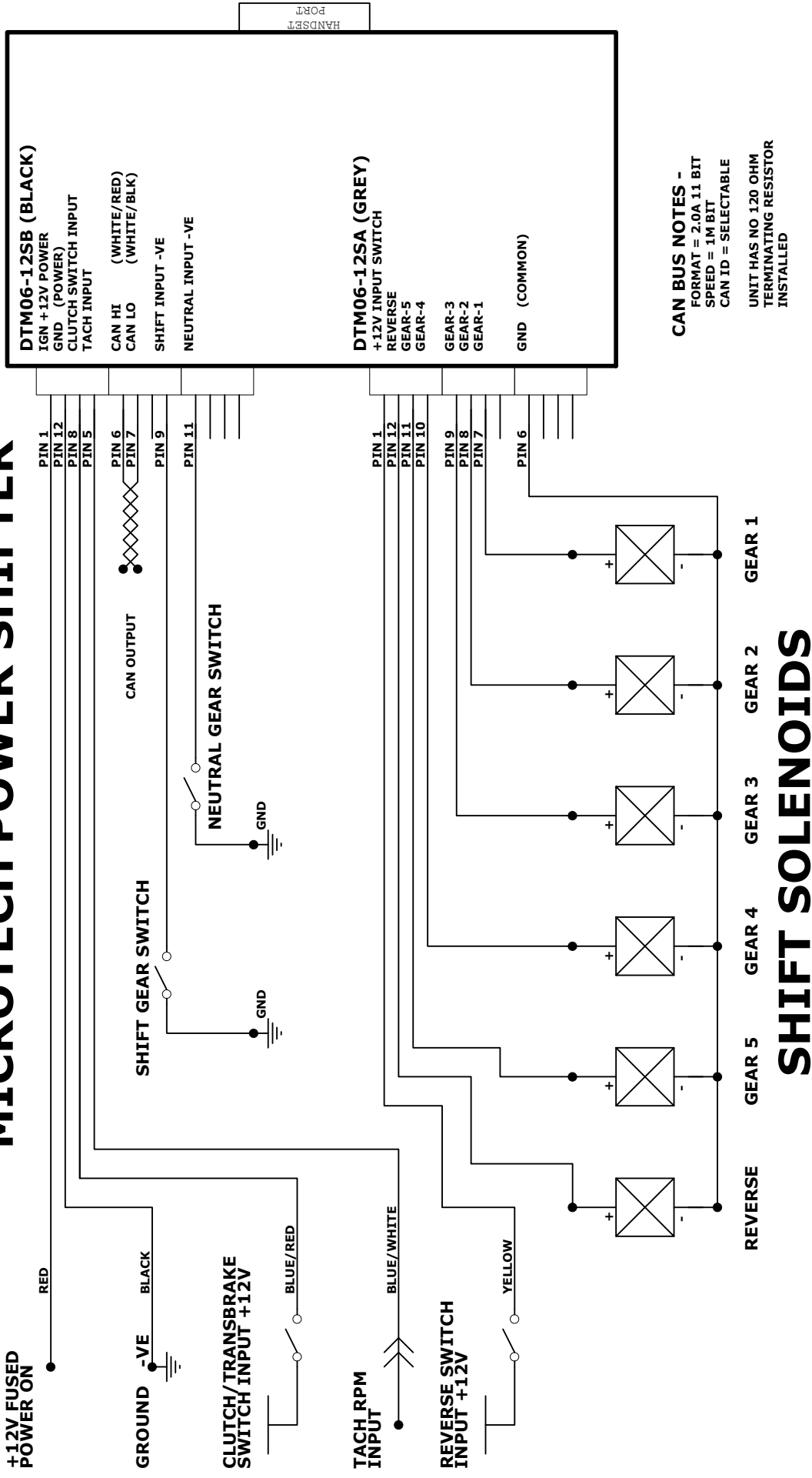


MICROTECH POWER SHIFTER



CAN BUS NOTES -
 FORMAT = 2.0A 11 BIT
 SPEED = 1M BIT
 CAN ID = SELECTABLE

UNIT HAS NO 120 OHM
 TERMINATING RESISTOR
 INSTALLED

SHIFT SOLENOIDS

Title		POWER SHIFTER	
Size	Number	Revision	
A4	5-SPEED	1	
Date:	10-Jul-2019	Sheet of	1
File:	C:\ADVS\CHSHIFTER5.S01	Drawn By:	DOM