

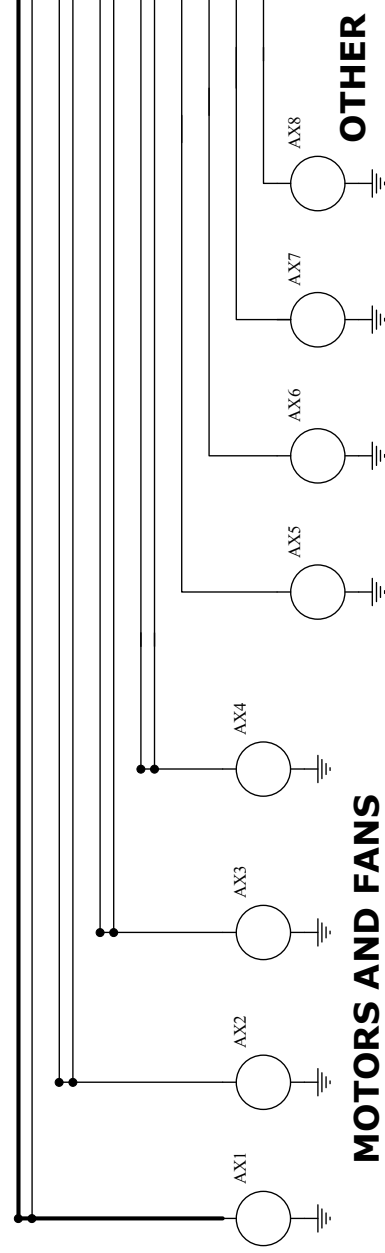
MICROTECH POWER HUB

DEUTSCH 12 WAY GREY PLUG "A"

- AUX OUTPUT#1 (A)
- AUX OUTPUT#1 (B)
- AUX OUTPUT#2 (A)
- AUX OUTPUT#2 (B)
- AUX OUTPUT#3 (A)
- AUX OUTPUT#3 (B)
- AUX OUTPUT#4 (A)
- AUX OUTPUT#4 (B)
- AUX OUTPUT#5
- AUX OUTPUT#6
- AUX OUTPUT#7
- AUX OUTPUT#8

GREY 12 WAY PLUG

- PIN1
- PIN2
- PIN3
- PIN4
- PIN5
- PIN6
- PIN12
- PIN11
- PIN10
- PIN9
- PIN8
- PIN7



MOTORS AND FANS

OTHER DEVICES

AUXILIARY OUTPUTS

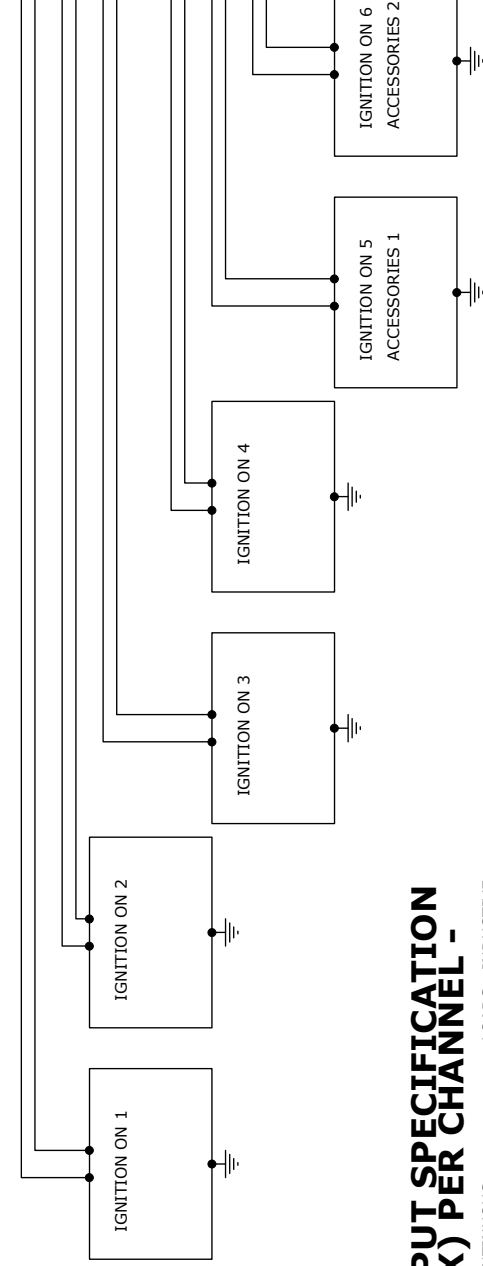
4 X 30 AMP OUTPUTS
4 X 15 AMP OUTPUTS
DT06-12SA GREY

DEUTSCH 12 WAY GREEN PLUG "C"

- IGN OUTPUT#1 (A)
- IGN OUTPUT#1 (B)
- IGN OUTPUT#2 (A)
- IGN OUTPUT#2 (B)
- IGN OUTPUT#3 (A)
- IGN OUTPUT#3 (B)
- IGN OUTPUT#4 (A)
- IGN OUTPUT#4 (B)
- IGN OUTPUT#5 (A)
- IGN OUTPUT#5 (B)
- IGN OUTPUT#6 (A)
- IGN OUTPUT#6 (B)

GREEN 12 WAY PLUG

- PIN1
- PIN2
- PIN12
- PIN11
- PIN3
- PIN4
- PIN10
- PIN9
- PIN5
- PIN6
- PIN8
- PIN7



IGNITION ON OUTPUTS

6 X 30 AMP OUTPUTS
DT06-12SC GREEN

OUTPUT SPECIFICATION - (MAX) PER CHANNEL -

- 40 AMP CONTINUOUS
- 80 AMP BURST CURRENT
- .001 OHM RESISTANCE
- LOADS - INDUCTIVE
- RESISTIVE CAPACITIVE
- 28V MAX 6V MIN
- PROGRAMMABLE OVER-CURRENT SHUTDOWN
- SHORT CIRCUIT PROTECTION

THE POWER HUB 16/20

Size	Number	Revision
A3	IGN/AUX DRAWING	1.0
Date:	21-Feb-2019	Sheet of 2
File:	C:\ADV\SCHEM\HUB16.DWG	Drawn By: DOM