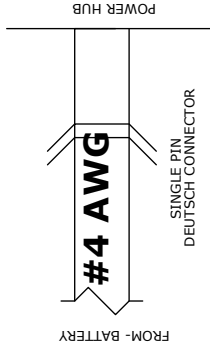
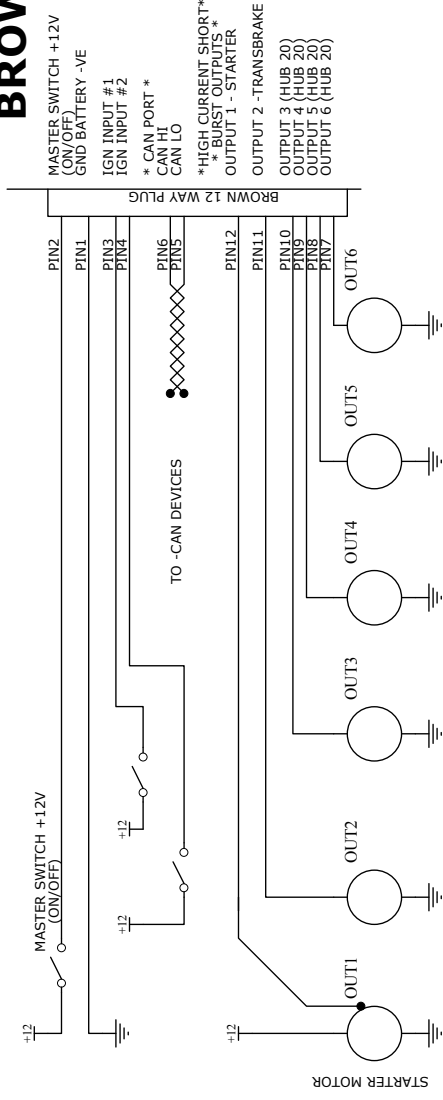


MICROTECH POWER HUB

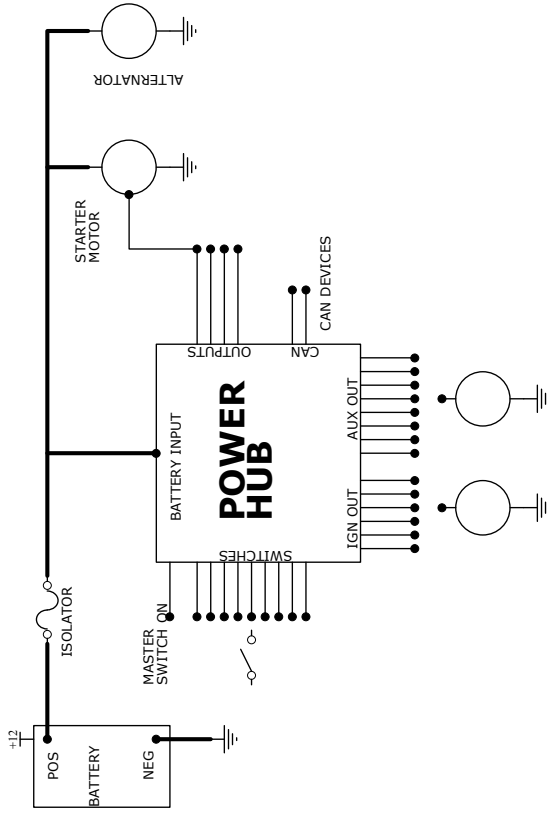
**DEUTSCH DTHD4
BATTERY #4 AWG(25MM)
CONNECTOR 120 AMP**



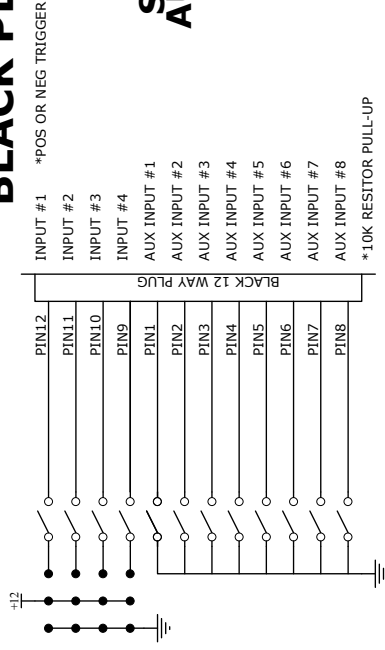
**DEUTSCH 12 WAY
BROWN PLUG "D"
MAIN INPUTS /
OUTPUTS**



SYSTEM OVERVIEW



**DEUTSCH 12 WAY
BLACK PLUG "B"**



**SWITCH/
AUX INPUTS**

CAN SETUP -

NOTE -
UNITS HAVE NO 100R
TERMINATING RESISTOR
INSTALLED

FORMAT = 2.0A 11 BIT
SPEED = 1M BIT
CAN ID = 028

THE POWER HUB 16/20

Size	Number	Revision
A3	INPUT DRAWING	1.0
Date:	21-Feb-2019	Sheet of 2
File:	C:\ADV\SCHEDT_HUB2.S01	Drawn By: DOM