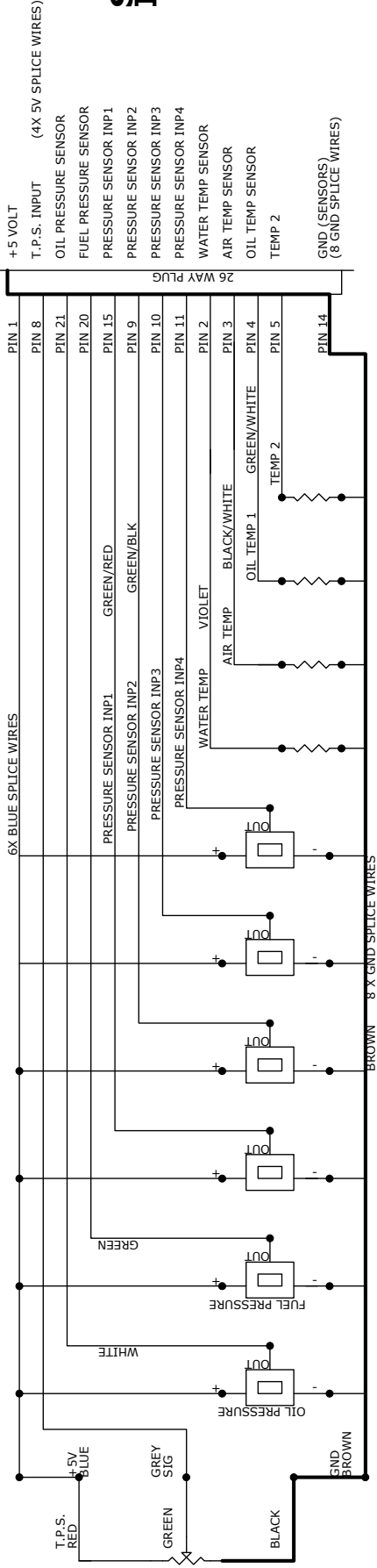


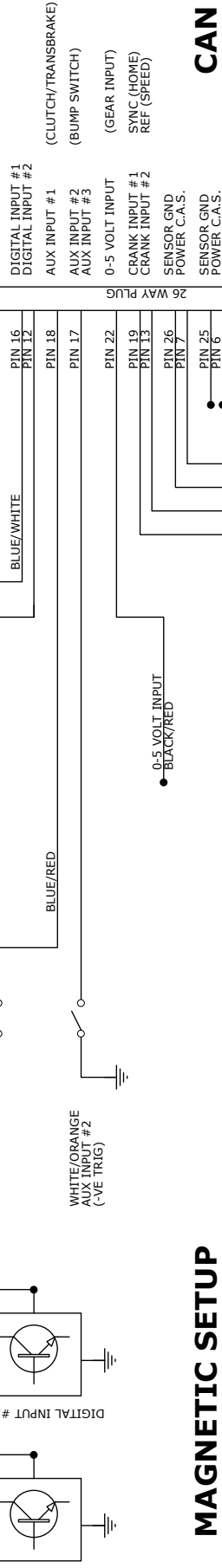
# MICROTECH STREET / RACE ENGINE MANAGEMENT SYSTEM

## 26 WAY PLUG "B"

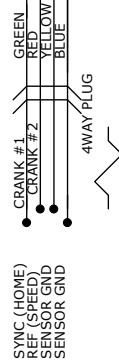


## SENSORS INPUTS

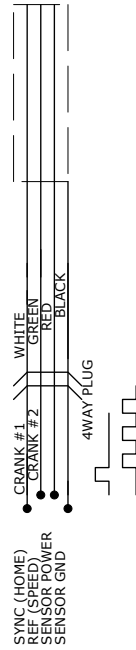
## 26 WAY PLUG "B"



## MAGNETIC SETUP



## HALL EFFECT SETUP



## IGN SETUP -

CONFIG = \_\_\_ CYL/R  
 INPUT TRIG = +VE  
 OUTPUT TRIG = \_\_\_  
 DWELL TYPE = \_\_\_

## CAN SETUP -

FORMAT = 2.0A.11 BIT  
 SPEED = 1M BIT  
 CAN ID = 010

NOTE -  
 UNITS HAVE 100OHM  
 TERMINATING RESISTOR  
 INSTALLED

## THE STREET/RACE

Size	A3	Number	SENSOR DRAWING	Revision	1.0
Date	17-Feb-2019	Sheet of	2	Drawn By:	DOM
File:	C:\ADV\SCHEM\DI\ RACE5.S01				