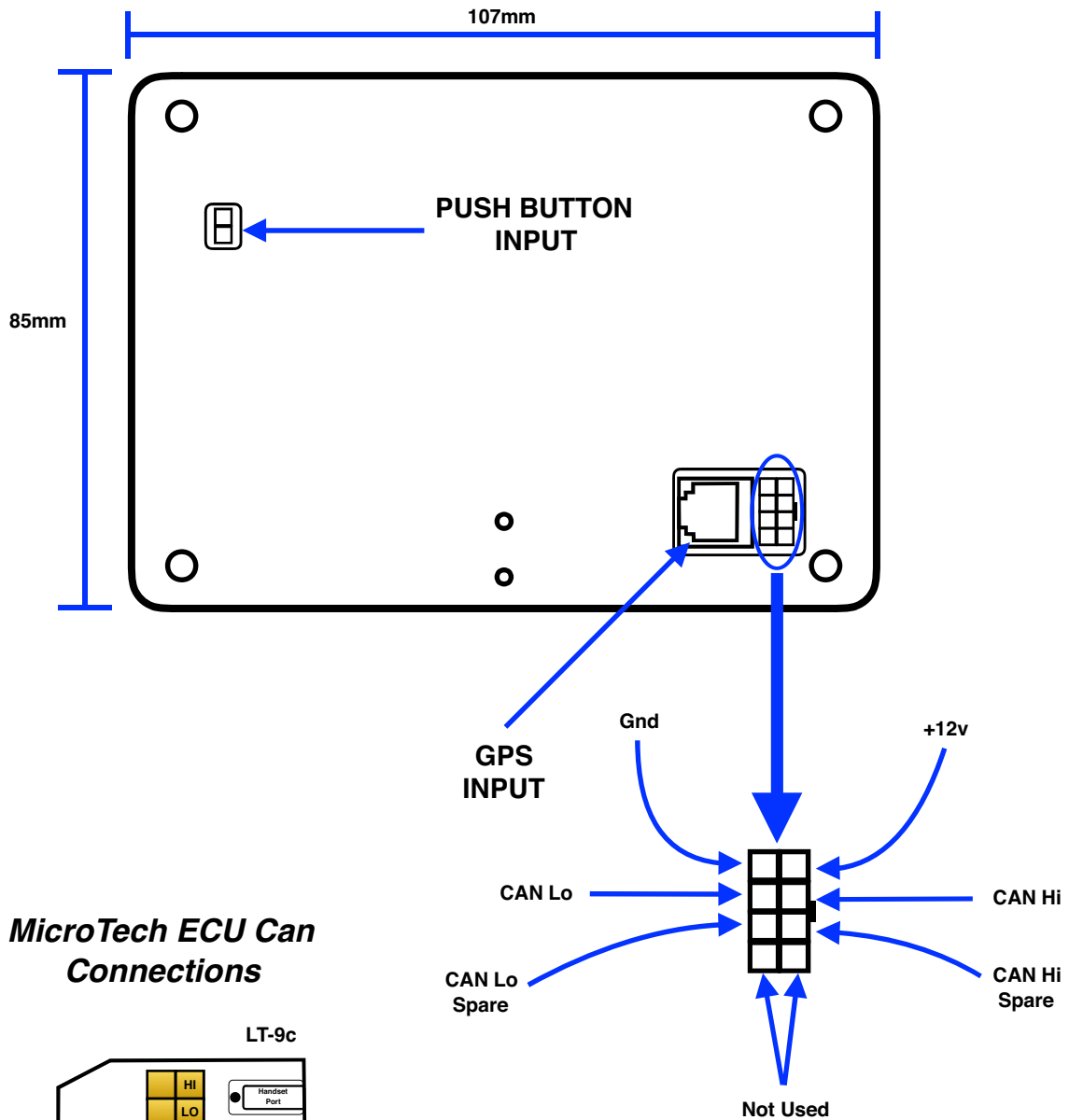


Dash 3.5" Pinout Diagram



MicroTech ECU Can Connections

