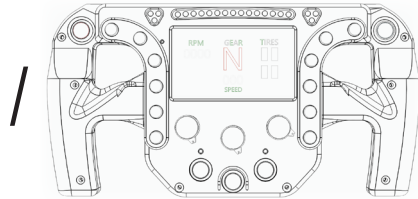
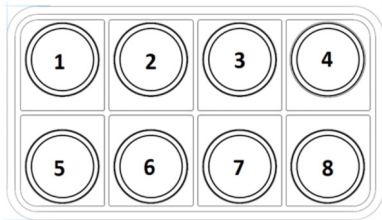
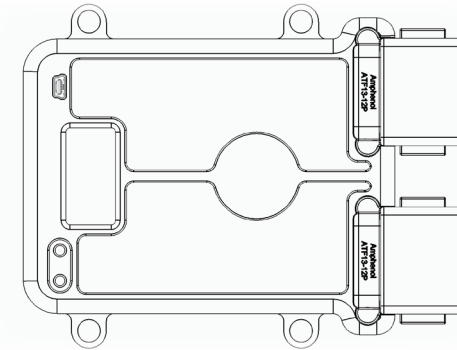


CAN HUB BUS CONFIGURATION DIAGRAM

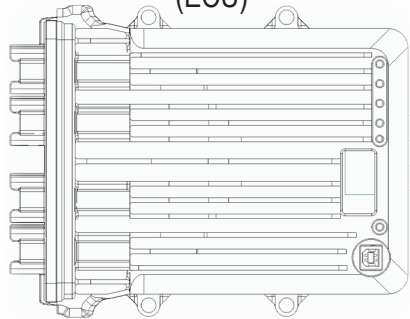
KEYPAD / STEERING WHEELS



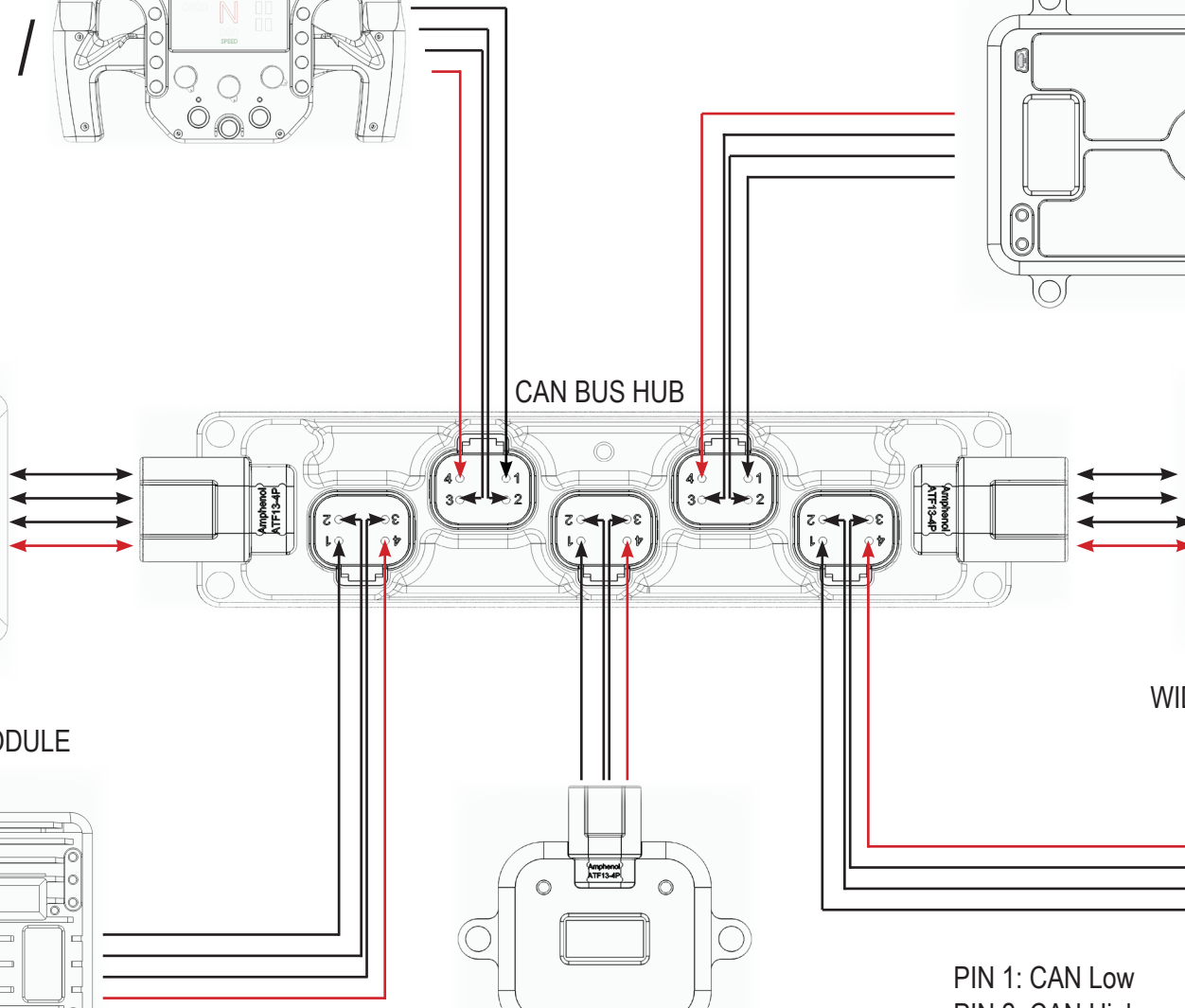
POWER SHIFTER 5



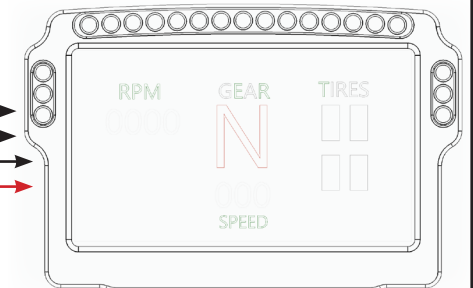
ENGINE CONTROL UNIT
(ECU)



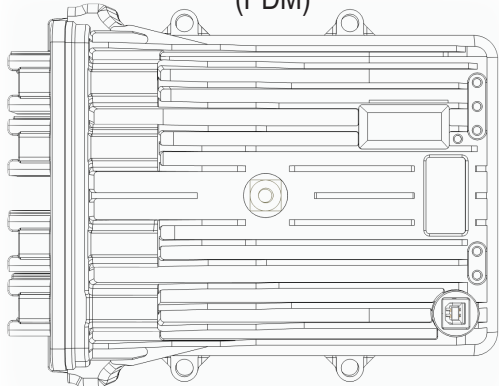
CAN BUS HUB



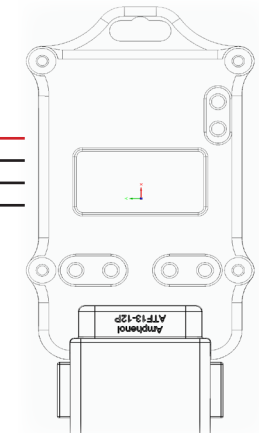
DISPLAY / LOGGER



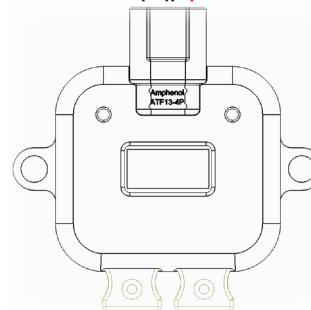
POWER DISTRIBUTION MODULE
(PDM)



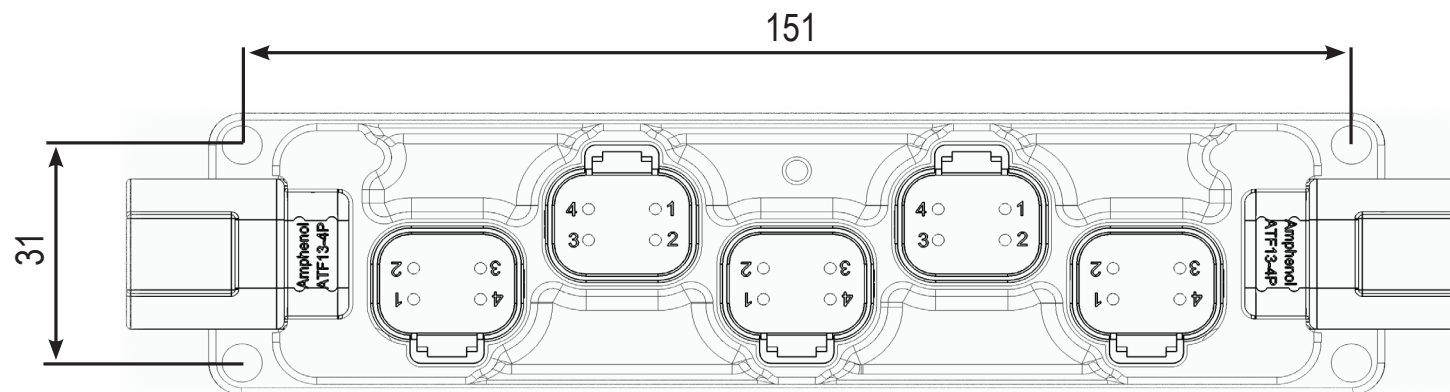
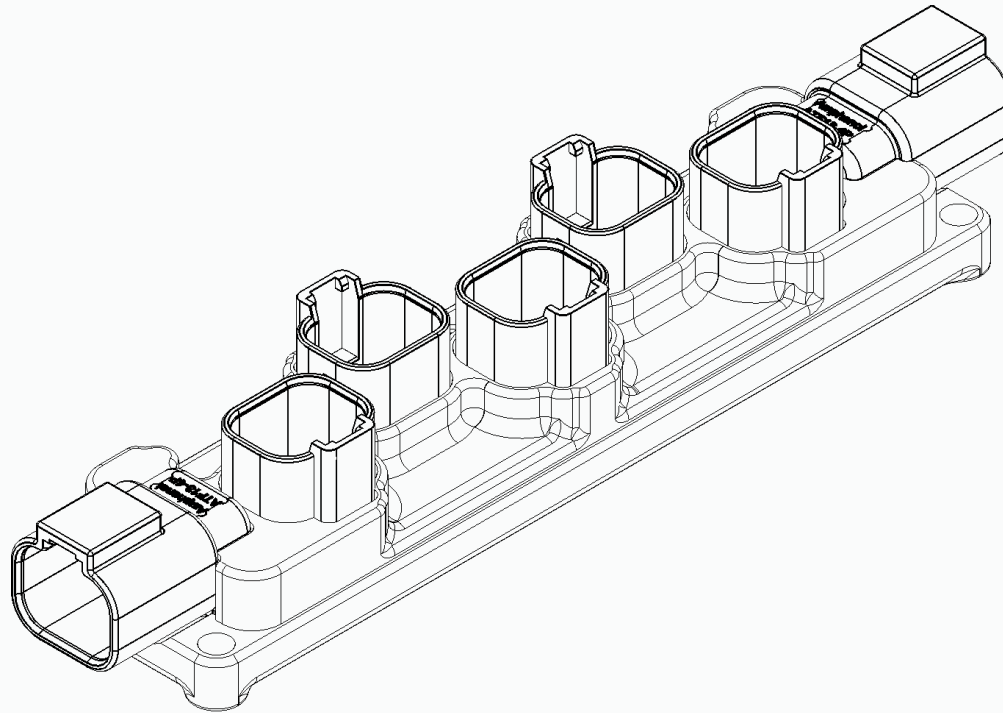
WIDEBAND O2 CONTROLLER (UEGO)



EXHAUST GAS TEMP. MODULE
(EGT)



PIN 1: CAN Low
PIN 2: CAN High
PIN 3: GND
PIN 4: +12 VOLTS



PIN 1: CAN Low
PIN 2: CAN High
PIN 3: GND
PIN 4: +12 VOLTS