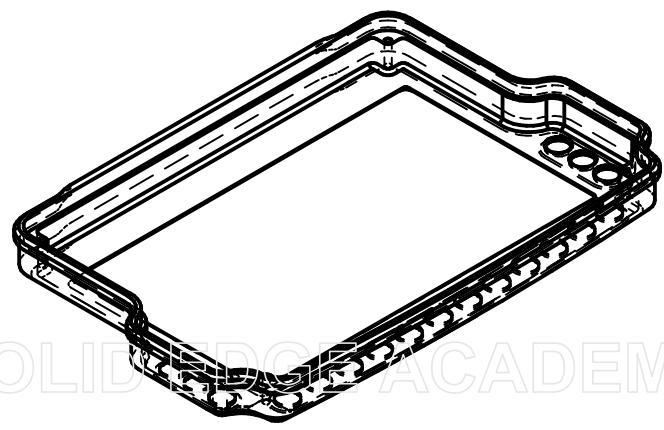
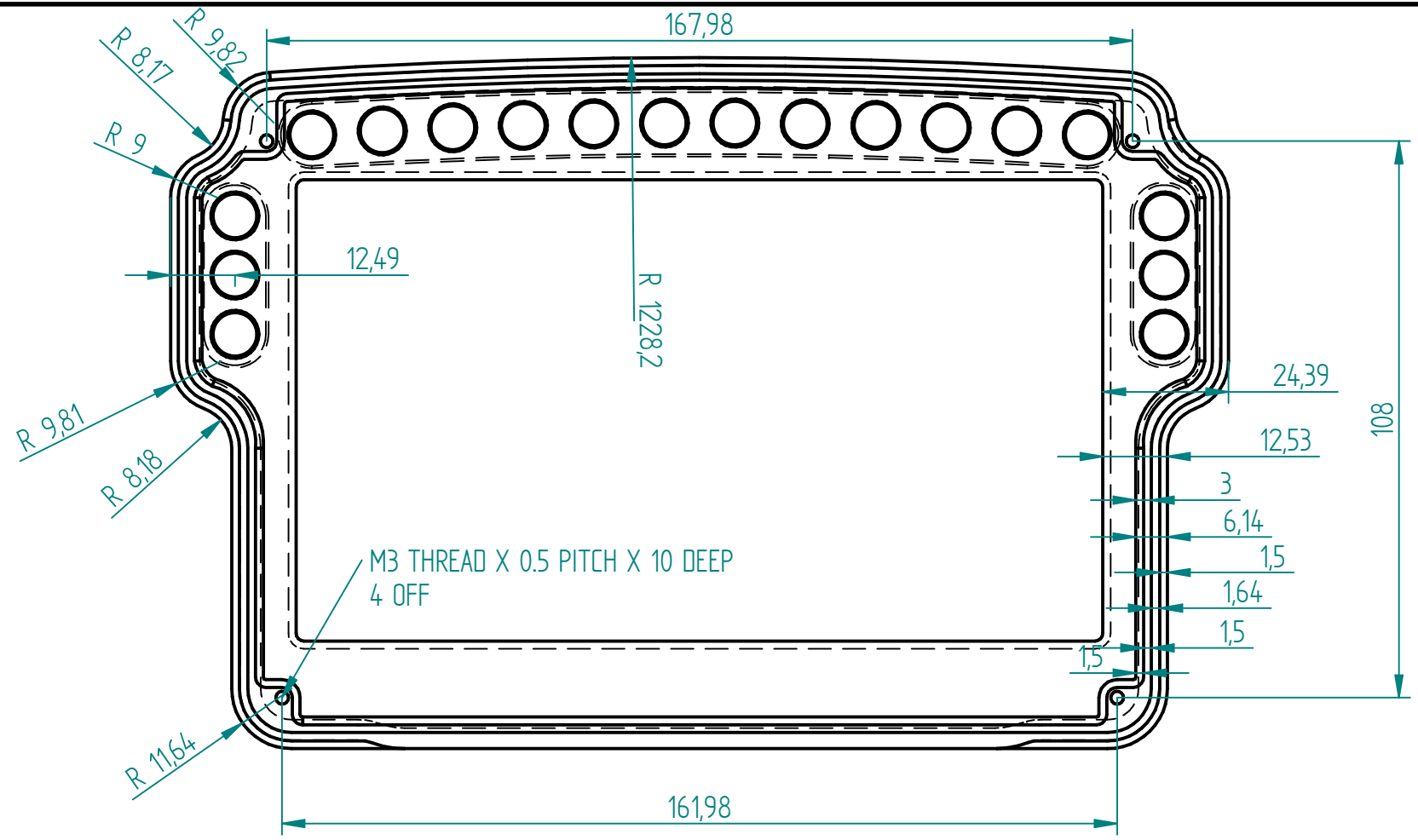


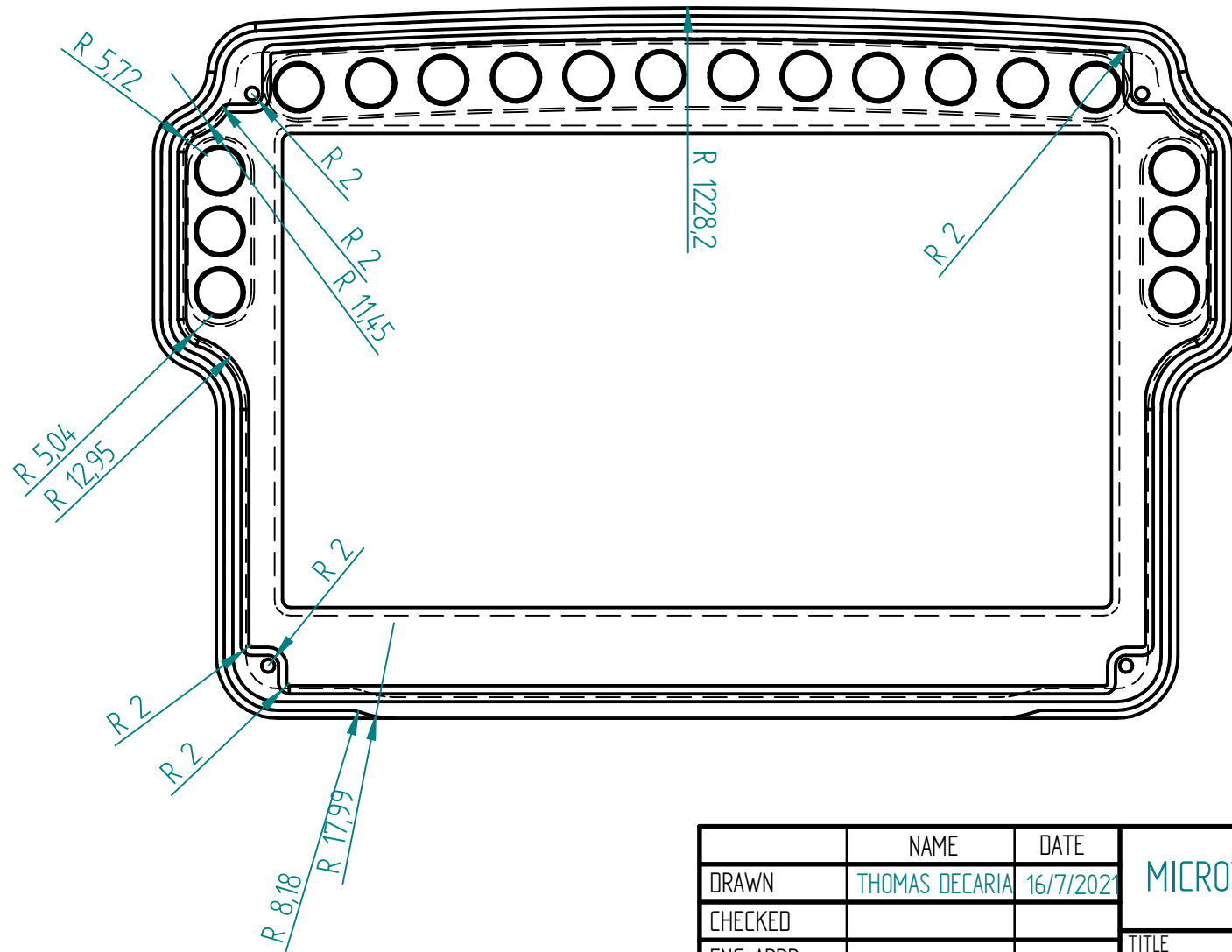
	NAME	DATE	MICROTECH AUTOMOTIVE SYSTEMS	
DRAWN	THOMAS DECARIA	16/7/2021	TITLE	
CHECKED			CURVED 7" DASH LID	
ENG APPR			SIZE	CUSTOMER
MGR APPR			A4	MICROTECH AUTOMOTIVE
TOLERANCES ± 0.05			REV	A
UNLESS OTHERWISE STATED DIMENSIONS ARE IN MILLIMETERS (mm)			FILE NAME: CURVED_LID_7	
SCALE: 1 : 1.25		WEIGHT: N/A	SHEET 1 OF 5	

SOLID EDGE 7.11.2021 10:10:10 AM



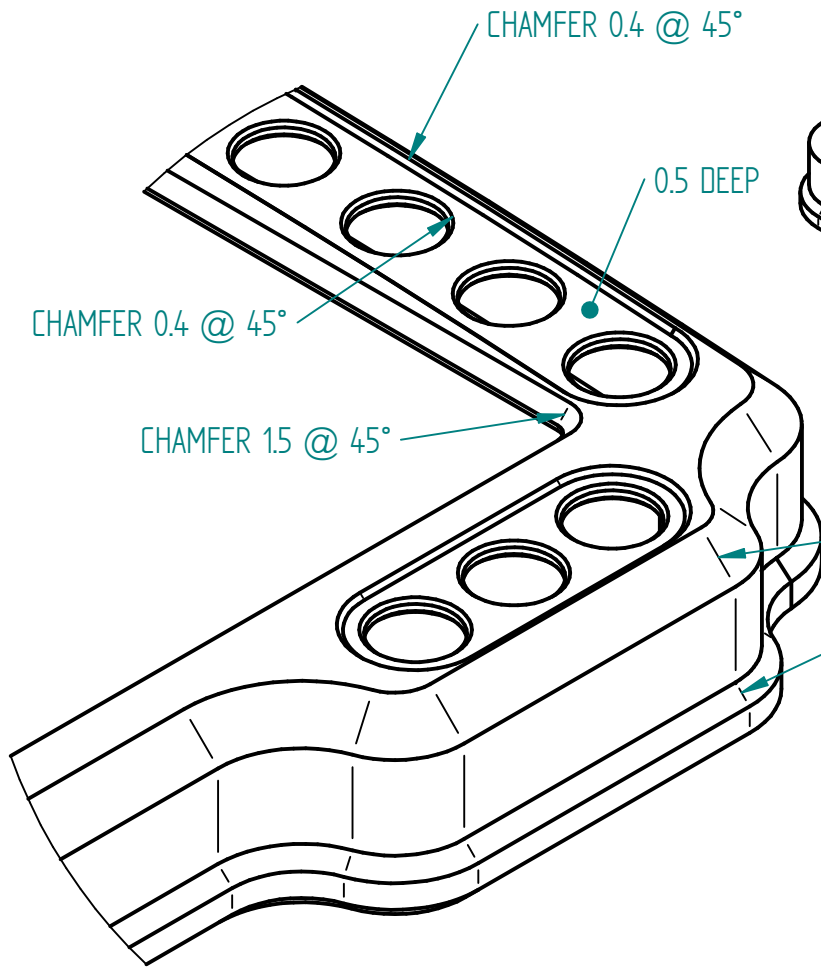
	NAME	DATE	MICROTECH AUTOMOTIVE SYSTEMS	
DRAWN	THOMAS DECARIA	16/7/2021	TITLE	
CHECKED			CURVED 7" DASH LID	
ENG APPR			SIZE	CUSTOMER
MGR APPR			A4	MICROTECH AUTOMOTIVE
TOLERANCES ± 0.05			REV	A
UNLESS OTHERWISE STATED DIMENSIONS ARE IN MILLIMETERS (mm)			FILE NAME: CURVED_LID_7	
SCALE: 1 : 1.25		WEIGHT: N/A		SHEET 2 OF 5

SOLIDWORKS ACADEMIC COPY

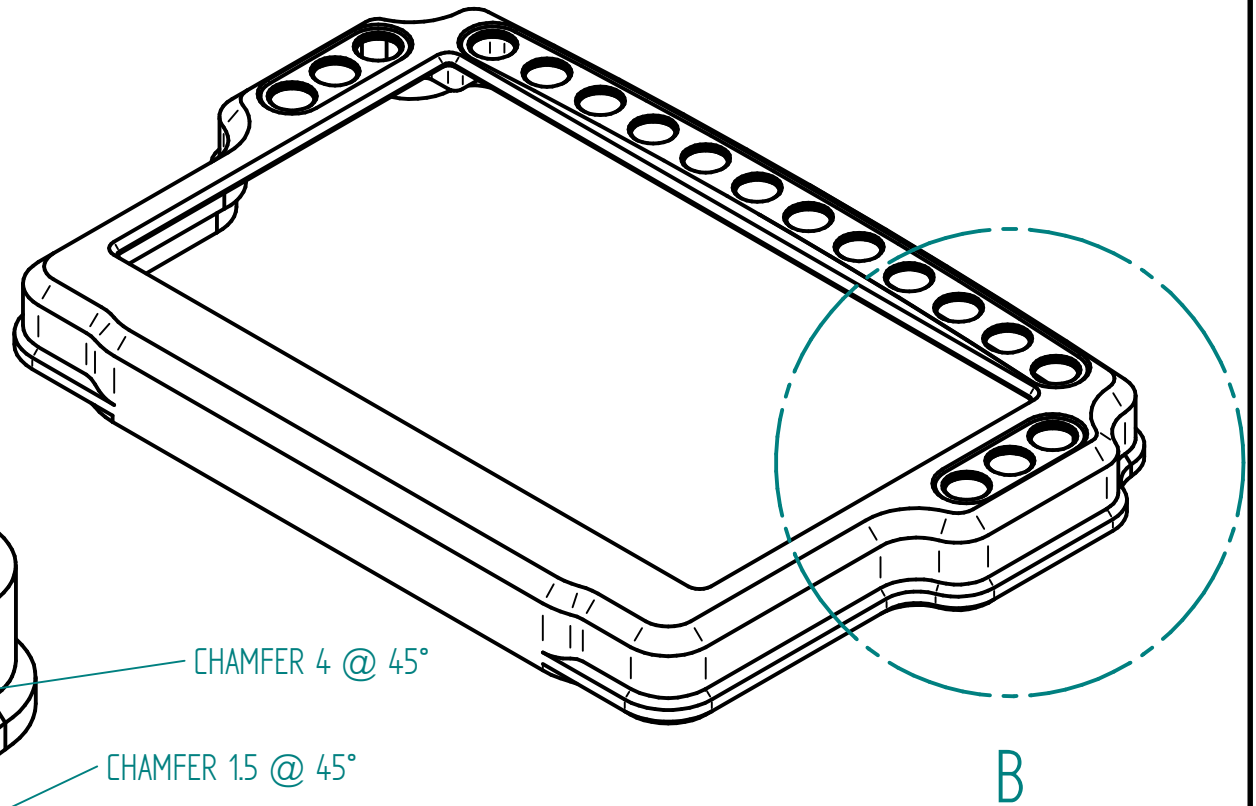


	NAME	DATE	MICROTECH AUTOMOTIVE SYSTEMS		
DRAWN	THOMAS DECARIA	16/7/2021	TITLE		
CHECKED			CURVED 7" DASH LID		
ENG APPR			SIZE	CUSTOMER	REV
MGR APPR			A4	MICROTECH AUTOMOTIVE	A
TOLERANCES ± 0.05			FILE NAME: CURVED_LID_7		
UNLESS OTHERWISE STATED DIMENSIONS ARE IN MILLIMETERS (mm)			SCALE: 1 : 1.25	WEIGHT: N/A	SHEET 3 OF 5

SOLID EDGE ACADEMIC COPY

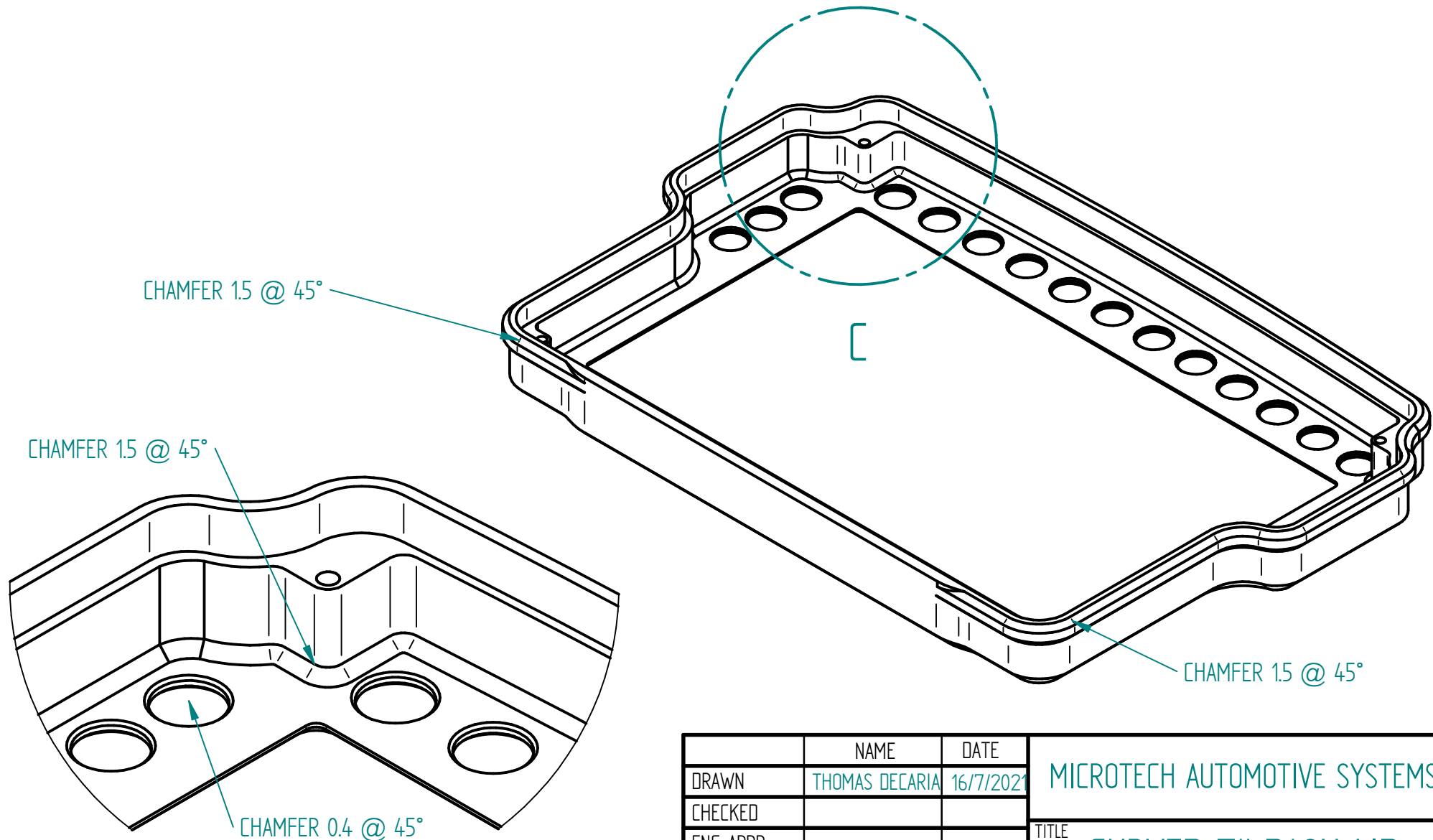


DETAIL B



	NAME	DATE	MICROTECH AUTOMOTIVE SYSTEMS	
DRAWN	THOMAS DECARIA	16/7/2021	TITLE	
CHECKED			CURVED 7" DASH LID	
ENG APPR			SIZE	CUSTOMER
MGR APPR			A4	MICROTECH AUTOMOTIVE
TOLERANCES ± 0.05			REV	A
UNLESS OTHERWISE STATED DIMENSIONS ARE IN MILLIMETERS (mm)			FILE NAME: CURVED_LID_7	
SCALE: 1 : 1.25		WEIGHT: N/A	SHEET 4 OF 5	

SOLID EDGE ACADEMIC COPY



	NAME	DATE	MICROTECH AUTOMOTIVE SYSTEMS		
DRAWN	THOMAS DECARIA	16/7/2021	TITLE		
CHECKED			CURVED 7" DASH LID		
ENG APPR			SIZE	CUSTOMER	REV
MGR APPR			A4	MICROTECH AUTOMOTIVE	A
TOLERANCES ± 0.05			FILE NAME: CURVED_LID_7		
UNLESS OTHERWISE STATED DIMENSIONS ARE IN MILLIMETERS (mm)			SCALE: 1 : 1.25	WEIGHT: N/A	SHEET 5 OF 5

SOLID EDGE DETAIL C ACADEMIC COPY